

LUMISTRIP

LED LIGHT TAPE



PRODUCT OVERVIEW

Input Voltage: 12 VDC
 Operating Temperature: -30 °C (-22 °F) ~ +40 °C (+104 °F)
 Location: Dry location only (indoor)

COMPONENTS:

- LumiStrip
- Easy Connect
- Power adapter
- Dimmer / Controller (optional)



SAFETY

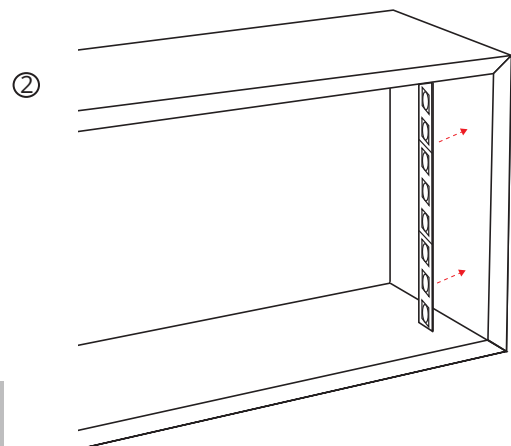
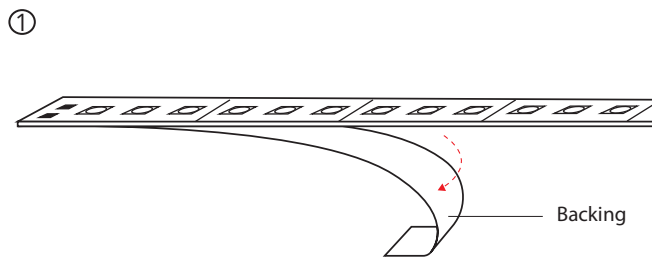
- Only install in environments with adequate air ventilation to dissipate heat generated by LEDs and power adapters
- Only install in dry environments

INSTALLATION

MOUNTING:

LumiStrip is self adhering.

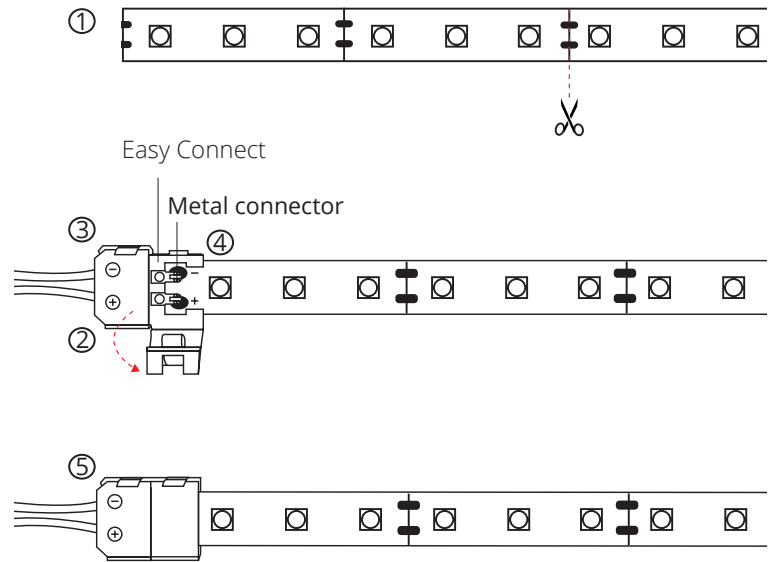
1. Remove backing from LumiStrip
2. Position LumiStrip on substrate. Adhere LumiStrip to a metal base for better thermal management and longevity



Contact your DLC representative before attempting any other mounting option.

CONNECTING:

1. Cut LumiStrip along the white cut mark (after every 3 LEDs)
2. Open the cover of the Easy Connect
3. Match the positive (+) and negative (-) terminals on LumiStrip to those on the Easy Connect
4. Place LumiStrip into the groove under the metal connector
5. Close and lock the cover of the Easy Connect
6. Maximum continuous run of LumiStrip is 16' (5 m)

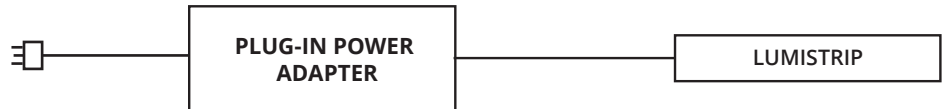


WIRING:

Determine your system components, including a Class 2 power adapter, as well as optional dimmer. Use only UL certified power adapters with 12 VDC output. Do not apply 24 VDC to LumiStrip, as within minutes the result may be burned LEDs or fire.

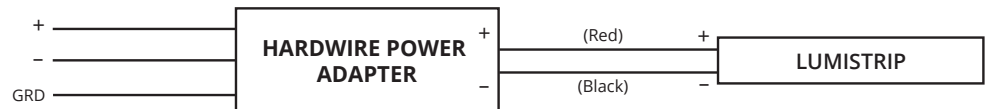
Wiring With Plug-In Power Adapters:

Use a plug-in adapter to connect the LumiStrip system to your power source.



Wiring With Hardwire Power Adapters:

1. Turn off power to your system at the main breaker
2. Install your system components. Refer to wiring guidelines for each component to build your system
3. Check connections and turn on power at the main breaker



CARE & HANDLING

- LumiStrip is fragile. Avoid bending beyond a diameter of less than 1 1/2" (38 mm), folding or twisting LumiStrip, as doing so will desolder the LED and result in some LEDs to not light up
- Diagrams are examples only. Be sure to consult specification and installation guides for all components in your system. Always ensure you are complying with NEC and local regulations
- Avoid voltage drop by keeping cords from the power adapter as short as possible (standard is 10' at 20 AWG). If the product must be installed far from the power adapter (beyond 20'), cut off the DC plug and use a large gauge (>16 AWG) cord to mitigate a voltage drop
- Multiple LumiStrip units wired to a single power adapter are to be connected in parallel to maximize light output and avoid voltage drop
- Multiple LumiStrip units must be connected with DLC approved spider cables
- DLC has various dimmer / controller devices. Please contact a representative to choose an option that will best suit your application

DLC is not responsible for any injuries or damages caused by improper installation. Contact a DLC representative for more information.