

# Lumi Light Box #15

With 2 mm LumiSheet Flex

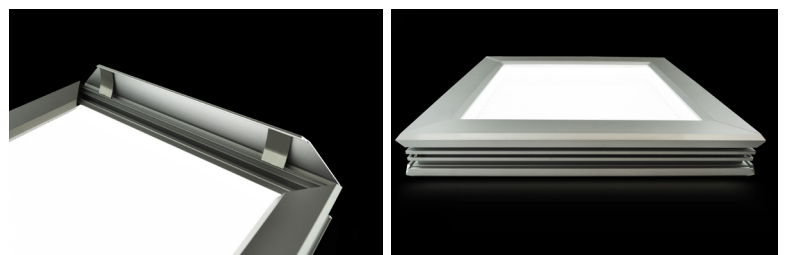


Maximize your space with Lumi Light Box #15 double-sided light box. The perfect choice for light box window displays or suspended ceiling light boxes.

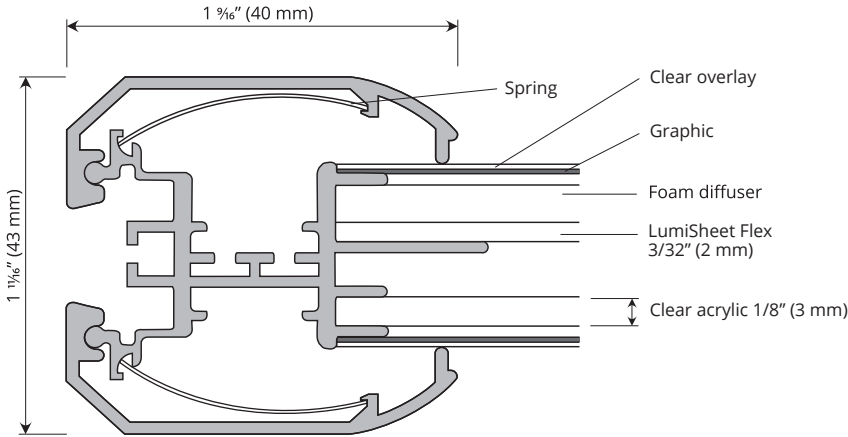
Lit with our super slim 2 mm LumiSheet Flex LED light panel. This option offers an even and consistent light output with a lightweight and easy to install panel.

## FEATURES

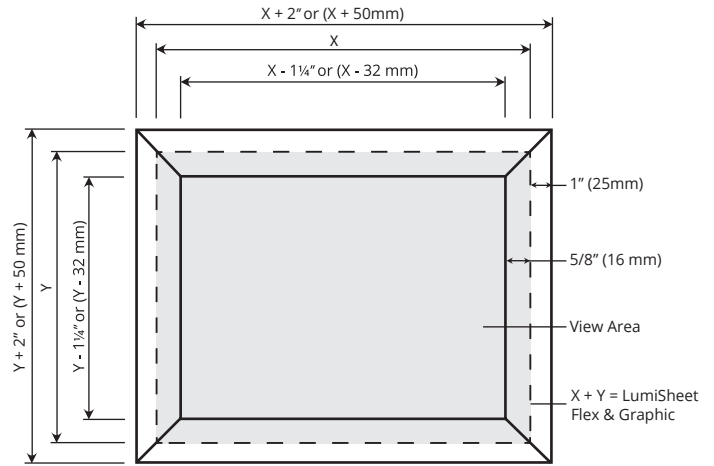
- ✓ Lightweight
- ✓ Cost effective
- ✓ Double-sided
- ✓ Easy to ship
- ✓ Any size up to 4' (1.2 m) x 8' (2.4 m)
- ✓ Super bright
- ✓ Snap frame for quick graphic changes
- ✓ Easy to install
- ✓ Energy saving and maintenance free
- ✓ Superior consistent light quality
- ✓ Advanced 3-year warranty



**PROFILE VIEW**



**FRONT VIEW**



**SPECIFICATIONS**

Electrical	
Input Voltage	24 VDC
Power Consumption	5.2 W/ft (standard)
Wire Size	20 AWG 2 wire
Wiring	Each light box must have direct connection to power supply. Do not wire panels in series
Connector	2.1 / 5.5 mm barrel plug. Standard 5' (1500 mm), optional 10' (3000 mm)
Certification	UL listed (E334549)
Physical	
Color Temperature	2700 K (± 200 K) <input checked="" type="checkbox"/> 5000 K (± 200 K) <input type="checkbox"/>
Mounting	Hanging with aircraft cables
Operating Temperature	-30 °C (-22 °F) ~ +40 °C (+104 °F)
Environment	Dry location only (standard)
Minimum Size	11" (279 mm) L x 8 1/2" (216 mm) W
Maximum Size	96" (2438 mm) L x 48" (1219 mm) W
Weight	Approx. 1 lb / sq ft (0.46 kg / sq m)
Frame	
Frame Width	1 9/16" (40 mm)
Frame Thickness	1 11/16" (43 mm)
Frame Material	Anodized snap frame
Frame Colors	Silver / Black / Custom color

ORDER INFORMATION						
Series #	Frame Color	Size: Length x Width (inch/mm)	Color Temperature	Illuminated Face Option	Cable Length	LED Location
<b>LLB24-15-2mm</b> 2 mm depth 24 V	<b>S:</b> Silver <b>B:</b> Black <b>CC:</b> Custom color	<b>OD:</b> Frame outside dimension <b>GS:</b> Graphic size <b>VA:</b> Visual area	<b>2700 K</b> (± 200 K) <b>5000 K</b> (± 200 K)	<b>DFI:</b> Double face	<b>WL15:</b> 5' (1500 mm) power cord with 2.1 / 5.5 mm barrel plug  <b>WL30:</b> 10' (3000 mm) power cord with 2.1 / 5.5 mm barrel plug	<b>L1:</b> LEDs along 1 long edge <b>L2:</b> LEDs along 2 long edges <b>S1:</b> LEDs along 1 short edge <b>S2:</b> LEDs along 2 short edges <b>S4:</b> LEDs along all edges <b>C1:</b> Custom illumination

Notes:

- Acrylic and other manufacturing components and methods may contribute to an expansion or contraction of sizes based on environmental or tooling factors. Please allow a minimum of ± 1/8" (3.175 mm) to compensate for any changes in the outside dimensions of this product
- LED Kelvin temperatures listed in this literature have been derived from raw LED data. Actual Kelvin ratings can vary +/- 200 K based upon environmental conditions including but not limited to inclusion into LGPs and the use of diffusion materials. A precise ANSI bin control system is utilized to help maintain LED conformity and to minimize variances
- DLC strives to maintain tight control over specification factors. However, specifications are subject to change on rare occasion. These changes may not be reflected here