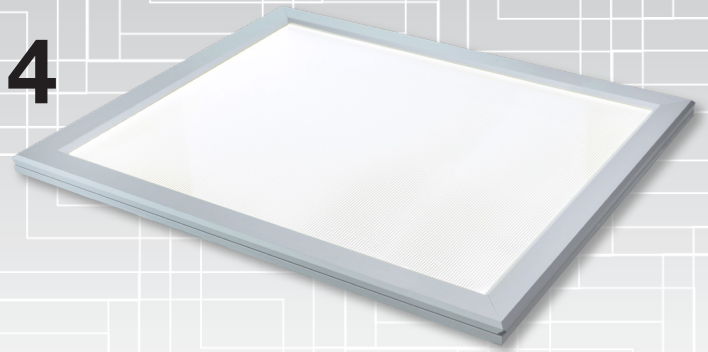


# Lumi Light Box #14

With 2 mm LumiSheet Flex

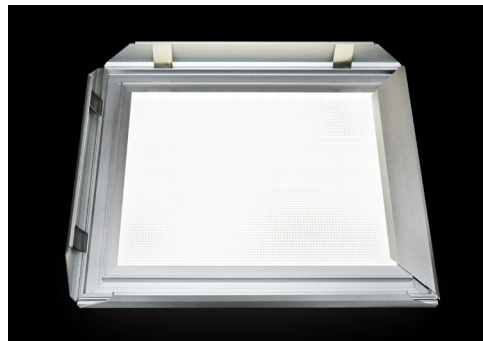
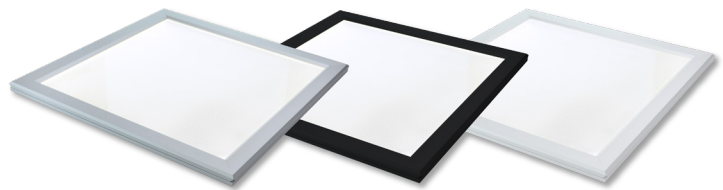


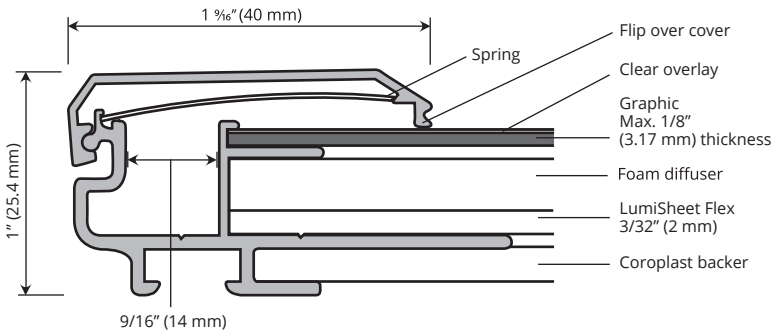
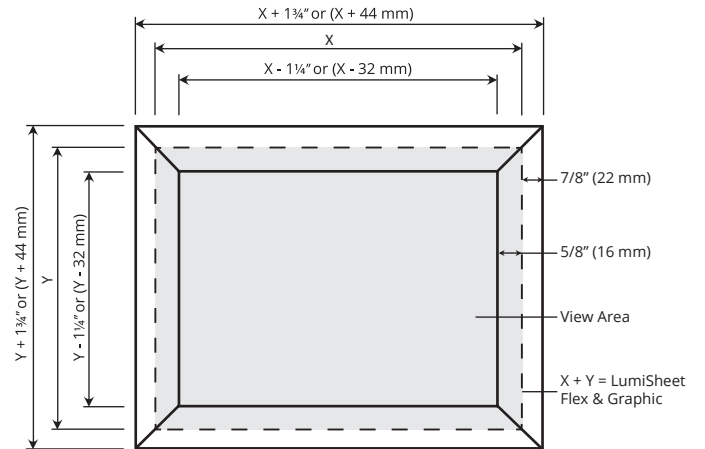
Slim, bright, and sturdy. This snap frame allows easy graphic changes in a robust LED light box. Because of its strength, Lumi Light Box #14 is the perfect option for larger applications.

Lit with our super slim 2 mm LumiSheet Flex LED light panel. This option offers an even and consistent light output with a lightweight and easy to install panel.

## FEATURES

- ✓ Lightweight
- ✓ Cost effective
- ✓ Easy to ship
- ✓ Any size up to 4' (1.2 m) x 8' (2.4 m)
- ✓ Slim and super bright
- ✓ Snap frame for quick graphic changes
- ✓ Easy to install
- ✓ Even & consistent illumination
- ✓ Energy saving and maintenance free
- ✓ Advanced 3-year warranty



**PROFILE VIEW**

**FRONT VIEW**

**SPECIFICATIONS**
**Electrical**

<b>Input Voltage</b>	24 VDC
<b>Power Consumption</b>	5.2 W/ft (standard)
<b>Wire Size</b>	20 AWG 2 wire
<b>Wiring</b>	Each light box must have direct connection to power supply. Do not wire panels in series
<b>Connector</b>	2.1 / 5.5 mm barrel plug. Standard 5' (1500 mm), optional 10' (3000 mm)
<b>Certification</b>	UL recognized component (E362079), UL listed (E334549)

**Physical**

<b>Color Temperature</b>	2700 K ( $\pm 200$ K) <input checked="" type="checkbox"/>	5000 K ( $\pm 200$ K) <input type="checkbox"/>
<b>Mounting</b>	Wall mounted with screws, wall hanging or pendant with hanging wires	
<b>Operating Temperature</b>	-30 °C (-22 °F) ~ +40 °C (+104 °F)	
<b>Environment</b>	Dry location only (standard)	
<b>Minimum Size</b>	11" (279 mm) L x 8 1/2" (216 mm) W	
<b>Maximum Size</b>	105" (2667 mm) L x 49" (1244.6 mm) W	
<b>Weight</b>	Approx. 1 lb / sq ft (0.46 kg / sq m)	

**Frame**

<b>Frame Width</b>	1 9/16" (40 mm)
<b>Frame Thickness</b>	1" (25.4 mm)
<b>Frame Material</b>	Anodized snap frame
<b>Frame Colors</b>	Silver / Black / White / Custom color

ORDER INFORMATION						
Series #	Frame Color	Size: Length x Width (inch/mm)	Color Temperature	Illuminated Face Option	Cable Length	LED Location
<b>LLB24-14-2mm</b> 2 mm depth 24 V	<b>S:</b> Silver <b>B:</b> Black <b>W:</b> White <b>CC:</b> Custom color	<b>OD:</b> Frame outside dimension <b>GS:</b> Graphic size <b>VA:</b> Visual area	<b>2700 K</b> (± 200 K) <b>5000 K</b> (± 200 K)	<b>SFI:</b> Single face	<b>WL15:</b> 5' (1500 mm) power cord with 2.1 / 5.5 mm barrel plug  <b>WL30:</b> 10' (3000 mm) power cord with 2.1 / 5.5 mm barrel plug	<b>L1:</b> LEDs along 1 long edge <b>L2:</b> LEDs along 2 long edges <b>S1:</b> LEDs along 1 short edge <b>S2:</b> LEDs along 2 short edges <b>S4:</b> LEDs along all edges <b>C1:</b> Custom illumination

- Notes:
- Acrylic and other manufacturing components and methods may contribute to an expansion or contraction of sizes based on environmental or tooling factors. Please allow a minimum of ± 1/8" (3.175 mm) to compensate for any changes in the outside dimensions of this product
  - LED Kelvin temperatures listed in this literature have been derived from raw LED data. Actual Kelvin ratings can vary +/- 200 K based upon environmental conditions including but not limited to inclusion into LGPs and the use of diffusion materials. A precise ANSI bin control system is utilized to help maintain LED conformity and to minimize variances
  - DLC strives to maintain tight control over specification factors. However, specifications are subject to change on rare occasion. These changes may not be reflected here