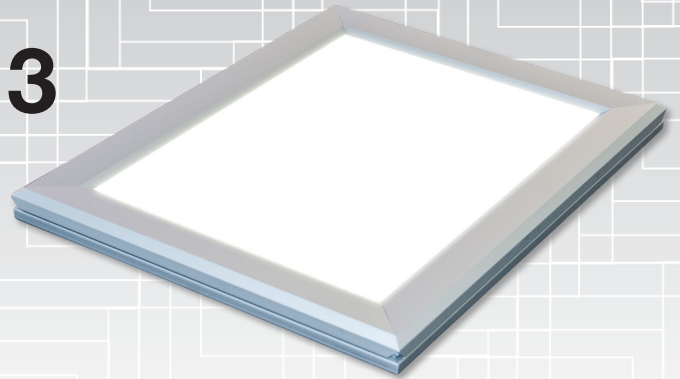


Lumi Light Box #13

With 2 mm LumiSheet Flex

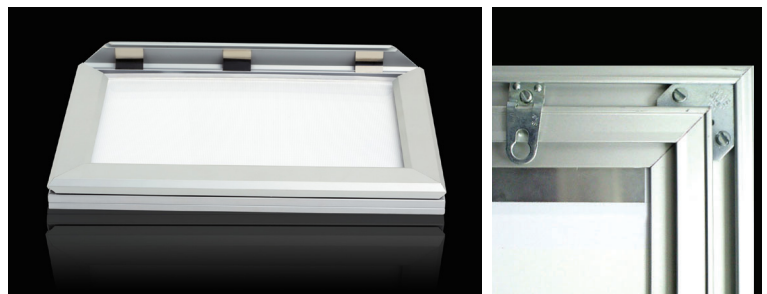
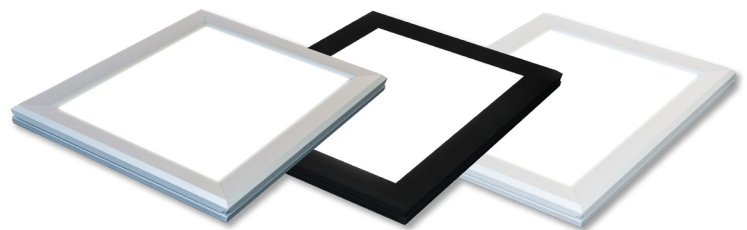


Achieve beautiful illumination in a snap. Lumi Light Box #13 with LumiSheet Flex showcases your graphics within a slim, single sided frame. Its snap frame allows quick and easy changing of graphics.

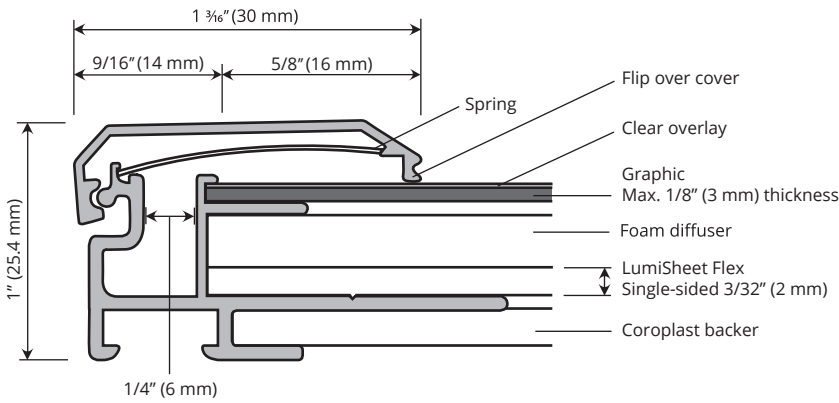
Lit with our super slim 2 mm LumiSheet Flex LED light panel. This option offers an even and consistent light output with a lightweight and easy to install panel.

FEATURES

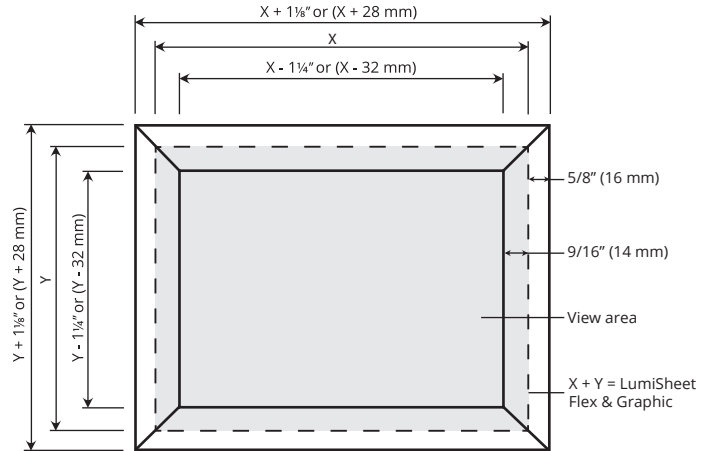
- ✓ Lightweight
- ✓ Cost effective
- ✓ Easy to ship
- ✓ Any size up to 4' (1.2 m) x 8' x (2.4 m)
- ✓ Super slim and super bright
- ✓ Snap frame for quick graphic changes
- ✓ Easy to install
- ✓ Even & consistent illumination
- ✓ Energy saving and maintenance free
- ✓ Superior consistent light quality
- ✓ Advanced 3-year warranty



PROFILE VIEW



FRONT VIEW



SPECIFICATIONS

Electrical	
Input Voltage	24 VDC
Power Consumption	5.2 W/ft (standard)
Wire Size	20 AWG 2 wire
Wiring	Each light box must have direct connection to power supply. Do not wire light boxes in series
Connector	2.1 / 5.5 mm barrel plug. Standard 5' (1500 mm), Optional 10' (3000 mm)
Certification	UL recognized component (E362079), UL listed (E334549)
Physical	
Color Temperature	2700 K (± 200 K) <input checked="" type="checkbox"/> 5000 K (± 200 K) <input type="checkbox"/>
Mounting	Wall mounted with euro hangers supplied or pendant with hanging wires
Operating Temperature	-30 °C (-22 °F) ~ +40 °C (+104 °F)
Environment	Dry location only (standard)
Minimum Size	11" (279 mm) L x 8 1/2" (216 mm) W
Maximum Size	96" (2438 mm) L x 48" (1219 mm) W
Weight	Approx. 1 lb / sq ft (0.46 kg / sq m)
Frame	
Frame Width	1 3/16" (30 mm)
Frame Thickness	1" (25.4 mm)
Frame Material	Anodized snap frame
Frame Colors	Silver / Black / White / Custom color

ORDER INFORMATION						
Series #	Frame Color	Size: Length x Width (inch/mm)	Color Temperature	Illuminated Face Option	Cable Length	LED Location
LLB24-13-2mm 2 mm depth 24 V	S: Silver B: Black W: White CC: Custom color	OD: Frame outside dimension GS: Graphic size VA: Visual area	2700 K (± 200 K) 5000 K (± 200 K)	SFI: Single face	WL15: 5' (1500 mm) power cord with 2.1 / 5.5 mm barrel plug WL30: 10' (3000 mm) power cord with 2.1 / 5.5 mm barrel plug	L1: LEDs along 1 long edge L2: LEDs along 2 long edges S1: LEDs along 1 short edge S2: LEDs along 2 short edges S4: LEDs along all edges

Notes:

- Acrylic and other manufacturing components and methods may contribute to an expansion or contraction of sizes based on environmental or tooling factors. Please allow a minimum of ± 1/8" (3.175 mm) to compensate for any changes in the outside dimensions of this product
- LED Kelvin temperatures listed in this literature have been derived from raw LED data. Actual Kelvin ratings can vary +/- 200 K based upon environmental conditions including but not limited to inclusion into LGPs and the use of diffusion materials. A precise ANSI bin control system is utilized to help maintain LED conformity and to minimize variances
- DLC strives to maintain tight control over specification factors. However, specifications are subject to change on rare occasion. These changes may not be reflected here