



# Rotary Style Dimmer

Dimming Option - R



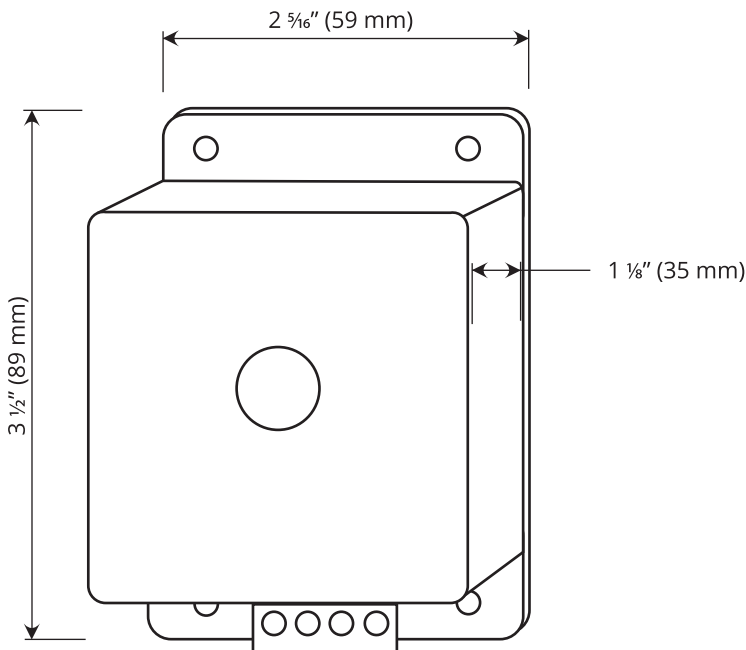
Ideal for manual adjustments or “set-and-forget” applications, the DIM-R Rotary Dimmer provides smooth, full-range dimming for dimmable LEDs.



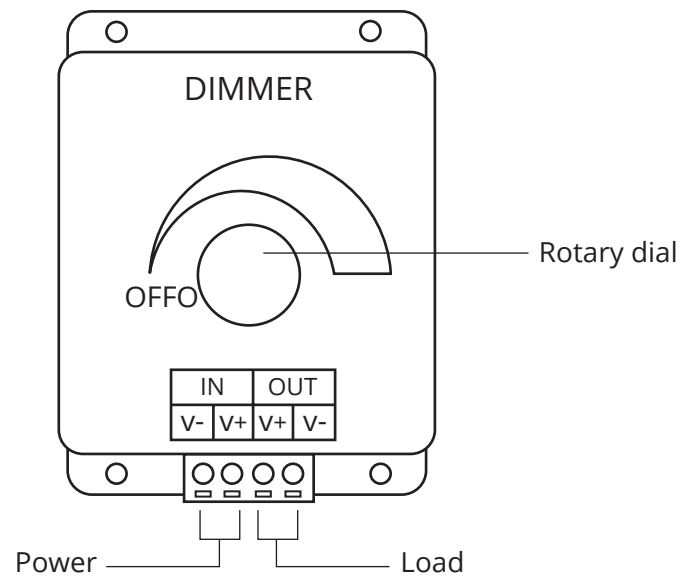
## KEY FEATURES & BENEFITS

- Easy installation
- Low Voltage
- Dial is ideal for manual adjustments or “set and forget” applications

## FRONT VIEW



## OVERVIEW





# Rotary Style Dimmer



Dimming Option - R

## Product Details

Part Number	970002
Operating Temperature	-20 °C (-4 °F) ~ +60 °C (+144 °F)
Environment	Dry location only
Dimensions	3 1/2" (89 mm) L x 2 5/16" (59 mm) W x 1 3/8" (35 mm) D
Lifespan	50,000+ hours
Weight	85 g

## SPECIFICATIONS

## Electrical

Input Voltage	5V DC & 12V DC & 24V DC
Rated Wattage	Max. 40 W for 12 V Max. 96 W for 12 V Max. 192 W for 24 V
Output Current	< 8 A
Static Power	< 1 W
Output	1 channel

## DIRECTIONS

1. Connect the out (load) wire at first, following by the in (power) wire
2. Ensure a short circuit does not occur between connecting wire before you turn on the power
3. Rotate dial to the right to increase brightness and to the left to decrease brightness until the light (load) is off