



# CCT Controller



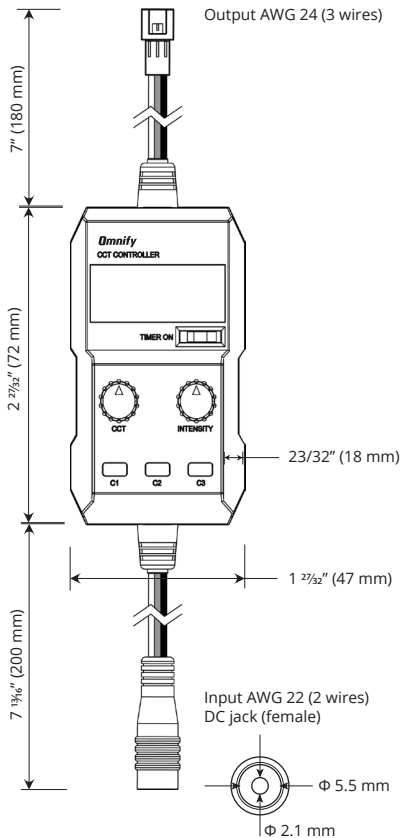
An innovative controller that integrates color temperature adjustment, dimming, and 3 particular Kelvin memory functions into a compact unit, the CCT Controller is easy to use with 2 simple dials. It allows color adjustment of Omnify Lighting's LED lighting products to best suit your applications or match your existing lighting.



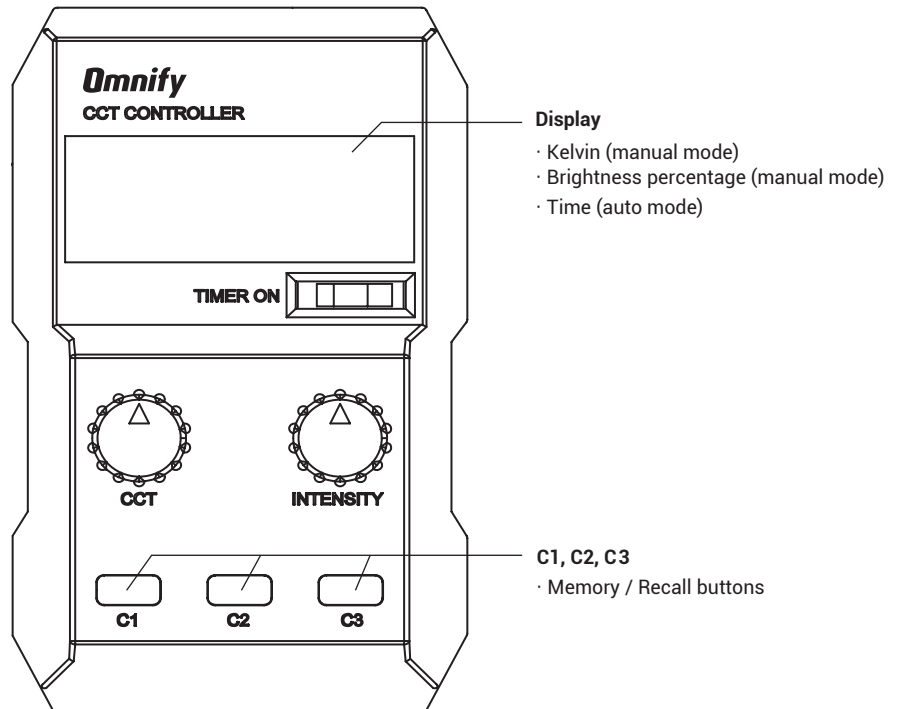
## KEY FEATURES & BENEFITS

- Adjusts color temperature between 2700 K and 6500 K
- Easy installation
- Manual mode dials into selected color temperature.
- Dimming from 0% - 100%
- Auto mode changes color temperature to mimic daylight temperature throughout the 24h cycle
- Three memory buttons for quick recall

## FRONT VIEW



## OVERVIEW





# CCT Controller



## Product Details

Part Number	970025
Mounting	Screw hanging or double-sided tape
Operating Temperature	-10 °C (-14 °F) ~ +40 °C (+104 °F)
Dimensions	1 27/32" (47 mm) W x 2 27/32" (72 mm) L x 23/32" (18 mm) D

## Electrical

Input Voltage	12 VDC/24 VDC
Power Consumption	Max. 60 W
Power Cable and Plug	2-wire AWG 22, with DC jack (2.1 / 5.5 mm), center positive
Output Cable and Plug	3-wire AWG 24, with 3-pin connector
Mode	Auto mode and manual mode
CCT Range	2700 K - 6500 K
Dimming	0% - 100%
Memory	3 Programable presets
Display	Kelvin, Intensity, Time (in auto mode)
Certification	CE, FCC, ROHS, UL Listed (E346146)

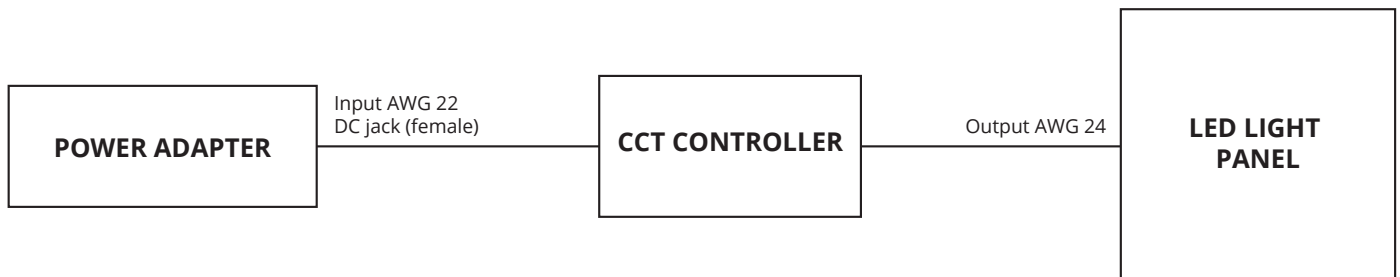
## Color Temperatures



## NOTES

1. Controller display is based on theoretical color temperature calculations and may not match controller display exactly
2. LED Kelvin temperatures listed in this literature have been derived from raw LED data. Actual Kelvin ratings can vary +/- 200 K based upon environmental conditions including but not limited to inclusion into LGPs and the use of diffusion materials. A precise ANSI bin control system is utilized to help maintain LED conformity and to minimize variances.
3. Omnify Lighting strives to maintain tight control over specification factors. However, specifications are subject to change on rare occasion. These changes may not be reflected here.

## WIRING EXAMPLES





# CCT Controller



## SAFETY & HANDLING

- Do not use power sources other than 12 or 24 VDC
- Do not expose the controller to moisture or fire
- Do not repair or remodel
- Do not place or install this product where it can be easily reached by children
- Turn power off when not in use

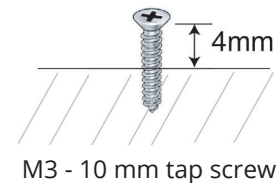
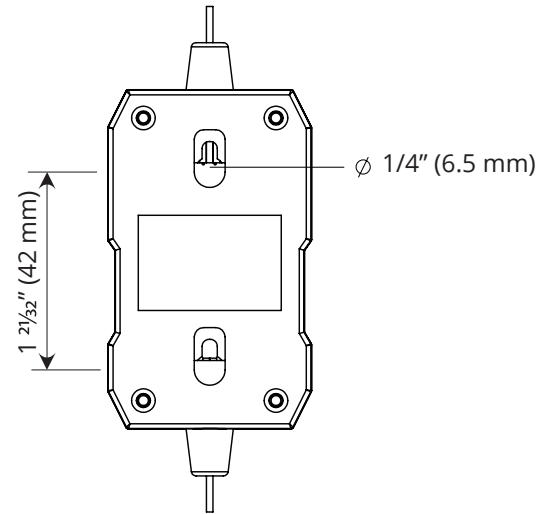
## MOUNTING

Mount securely using one of these options:

- Double-sided tape: Apply double-sided tape (not supplied) to the back side of the unit
- Screws: Install M3 screw (not supplied) on the wall and hang the unit through the mounting hole on the back

## FUNCTIONS

- The CCT controller is designed for adjusting color temperatures and intensity in Omnify color adjustable LED lights (light panels, light bars and light strips)
- **In auto mode**, the controller automatically changes the color temperature to the connected LED lights according to an internal timer designed to mimic the natural color temperatures shown throughout the day:
  - 3000 K by 6:00 am
  - 4100 K by mid-morning
  - 6500 K by noon
  - 4100 K by mid-afternoon
  - 3000 K by 6:00 pm
- **In manual mode**, the output color temperature and the light intensity (dimming) can be adjusted manually by the "CCT" dial and "Intensity" dial
- Current chosen color can be memorized to either C1, C2 or C3 buttons for quick recall.



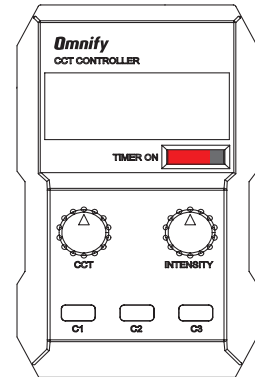


# CCT Controller

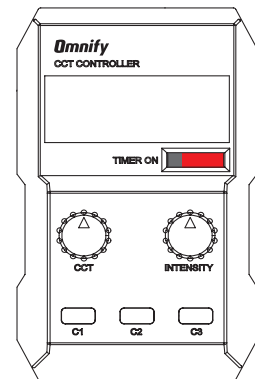


## SAFETY & HANDLING

- Connect the controller to a DLC CCT adjustable light with a maximum 60 W load
- Connect the controller to a 12 VDC power supply. Applying a higher voltage power source will damage the unit.
- In auto mode, the output color temperature changes according to a pre-programmed sequence. To turn on auto mode, slide "Timer On switch left to "On".
- Adjusting the auto mode clock:
  1. Press C1 quickly until the clock flashes
  2. While clock is flashing, press C2 to increase or C3 to decrease hour and minutes.
  3. Press C1 again to finish.
- In manual mode, the output color temperature is adjustable by dials. To turn on manual mode, slide "Timer On switch left to "Off."
- Adjust color temperature with the "CCT" dial. The display will show the current color temperature in Kelvin.
- Adjust brightness with the "Intensity" dial. The display will show the current light output as a percentage from 000% to 100%.
- In manual mode, you can assign recall buttons to the current Kelvin. Press and hold C1, C2, or C3 for 3 seconds until the display flashes.
- To recall an assigned color temperature, press and release the assigned C1, C2, or C3 button.
- The unit memorizes the last set value even when power is turned off.
- There is an internal battery for the clock setting memory. Replace the battery as needed.



Auto Mode



Manual Mode