

CCT Controller



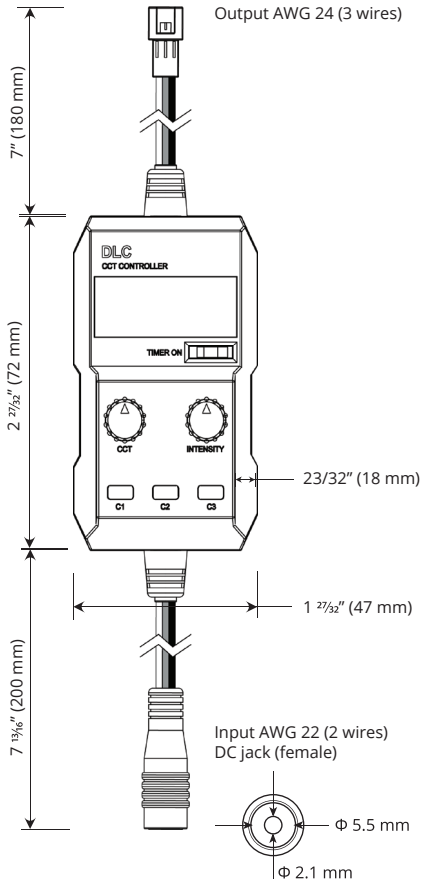
An innovative controller that integrates color temperature adjustment, dimming, and 3 particular Kelvin memory function into a compact unit. Easy to use with 2 simple dials. Allows color adjustment of DLC's LED lighting products to best suit your applications or match your existing lighting.

FEATURES

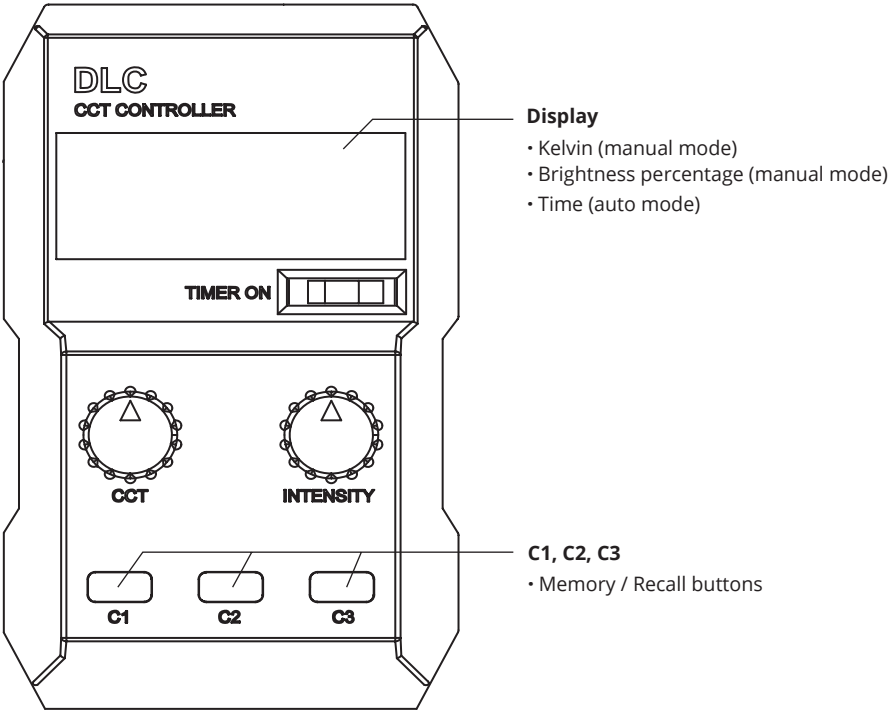
- ✓ Adjusts color temperature between 2700 K and 6500 K
- ✓ Dimming from 0% - 100%
- ✓ Easy installation
- ✓ Auto mode changes color temperature to mimic daylight
- ✓ Manual mode allows dialing in of selected color temperature
- ✓ Three memory buttons for quick recall



FRONT VIEW



OVERVIEW



SPECIFICATIONS

Electrical	
Input Voltage	12 VDC
Rated Wattage	Max. 60 W
Power Cable and Plug	2-wire AWG 22, with DC jack (2.1 / 5.5 mm), center positive
Output Cable and Plug	3-wire AWG 24, with 3-pin connector
Mode	Auto mode and manual mode
CCT Range	2700 K - 6500 K
Dimming	0% - 100%
Memory	3 different kinds of Kelvin
Display	Kelvin, Intensity, Time
Certifications	CE, FCC, ROHS, UL (E346146)
Physical	
Operating Temperature	-10 °C (-14 °F) ~ +40 °C (+104 °F)
Dimensions	1 7/32" (47 mm) W x 2 7/32" (72 mm) H x 23/32" (18 mm) D
Mounting	Screw hanging or double-sided tape

Notes:

- Controller display is based on theoretical color temperature calculations and may not match controller display exactly
- LED Kelvin temperatures listed in this literature have been derived from raw LED data. Actual Kelvin ratings can vary +/- 200 K based upon environmental conditions including but not limited to inclusion into LGPs and the use of diffusion materials. A precise ANSI bin control system is utilized to help maintain LED conformity and to minimize variances
- DLC strives to maintain tight control over specification factors. However, specifications are subject to change on rare occasion. These changes may not be reflected here

DETAILS

SAFETY & HANDLING

- Do not apply power sources other than 12 VDC
- Do not expose the controller to moisture or fire
- Do not repair or remodel
- Do not place or install this product where it can be easily reached by children
- Turn power off when not in use

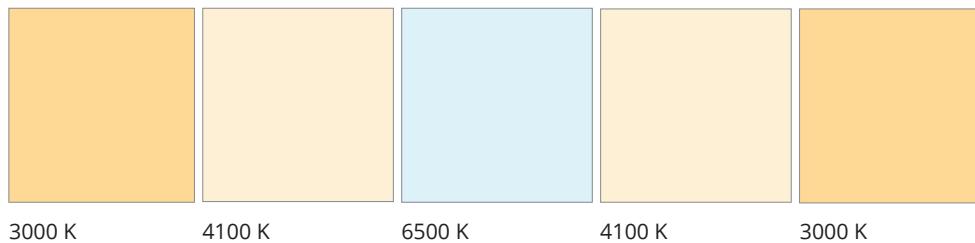
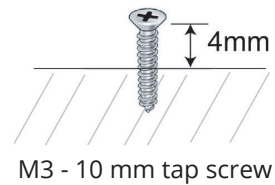
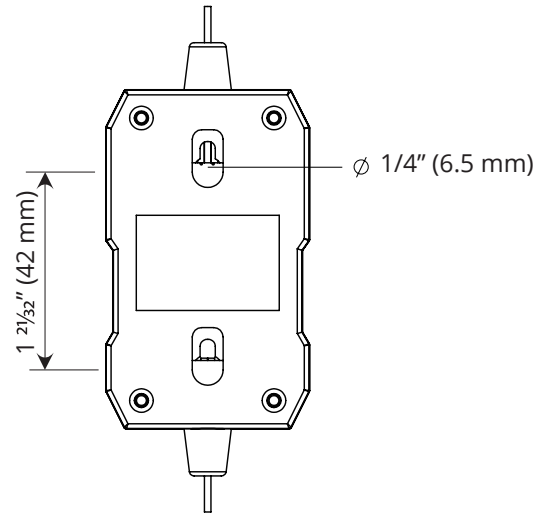
MOUNTING

Mount securely using one of these options:

- Double-sided tape. Apply double-sided tape (not supplied) to the back side of the unit
- Screws. Install M3 screw on the wall and hang the unit through the mounting hole on the back

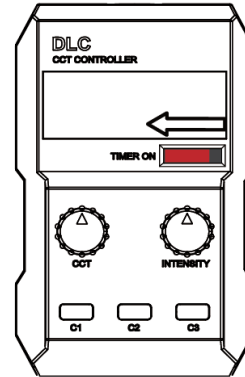
FUNCTIONS

- The CCT controller is designed for adjusting color temperatures and intensity in DLC color adjustable LED lights (light panels, light bars and light strips)
- In auto mode, the controller automatically changes the color temperature to the connected LED lights according to an internal timer designed to mimic the natural color temperatures shown throughout the day:
 - 3000 K by 6:00 am
 - 4100 K by mid-morning
 - 6500 K by noon
 - 4100 K by mid-afternoon
 - 3000 K by 6:00 pm
- In manual mode, the output color temperature and the light intensity (dimming) can be adjusted manually by the "CCT" dial and "Intensity" dial
- Current chosen color can be memorized to either C1, C2 or C3 buttons for quick recall

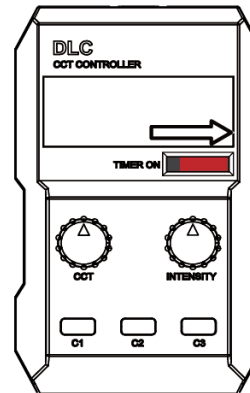


DIRECTIONS

- Connect the controller to a DLC CCT adjustable light with a maximum 60 W load
- Connect the controller to a 12 VDC power supply. Applying a higher voltage power source will damage the unit
- In auto mode, the output color temperature changes according to a pre-programmed sequence. To turn on auto mode, slide “Timer On switch left to “On”
- Adjusting the auto mode clock:
 1. Press C1 quickly until the clock flashes
 2. While clock is flashing, press C2 to increase or C3 to decrease hour and minutes
 3. Press C1 again to finish
- In manual mode, the output color temperature is adjustable by dials. To turn on manual mode, slide “Timer On switch left to “Off”
- Adjust color temperature with the “CCT” dial. The display will show the current color temperature in Kelvin
- Adjust brightness with the “Intensity” dial. The display will show the current light output as a percentage from 000% to 100%
- In manual mode, you can assign recall buttons to the current Kelvin. Press and hold C1, C2, or C3 for 3 seconds until the display flashes
- To recall an assigned color temperature, press and release the assigned C1, C2, or C3 button
- The unit memorizes the last set value even when power is turned off
- There is an internal battery for the clock setting memory. Replace the battery as needed



Auto mode



Manual mode

WIRING EXAMPLE

